

job name:
 type:

i.rod.6™ spec sheet 90CRI

LED

body illumination

flexible planar LED lighting sheet in 3000K, 3500K, or 4000K (90+CRI), L70 > 60,000 hrs. silver braid power cord standard.

downlight (optional)

Bridgelux Vero SE series in 3000K, 3500K, or 4000K (90CRI), L70 > 50,000 hrs. factory wired for dual circuit dimming. electrical contractor to provide 2nd circuit.

driver(s)

programmable, class 2, class P universal input (120-277v), constant current, 0-10v dimming, 1% minimum dimming level, PF > .9, THD < 20%, protections include open and short circuit, overload and over temperature. remote driver enclosure standard. consult factory for distances over 33 feet.

diffuser

6" dia. .118" Satinice white acrylic cylinder, featuring light diffusion beads evenly distributed throughout the material for optimum light diffusion.

mounting

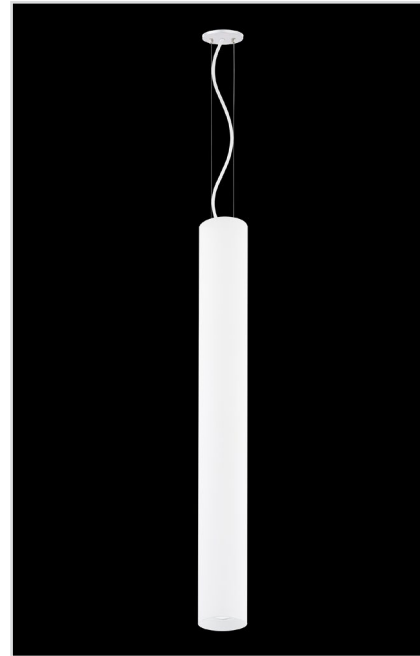
5"dia. matte white canopy. dual stainless steel cables and field adjustable grippers that allow for exact AFF mounting heights. silver braid power cord standard.

CDVR (optional)

7"dia. spun .064" aluminum canopy in matte white for surface mounted driver.

emergency

recommend use of inverter (by other).
 optional WREM: wired for remote EM battery (by other).

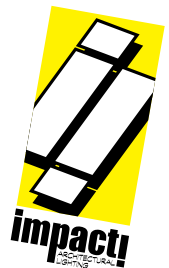


catalog number

--	--	--	--	--	--

size	body illumination		downlight		options	
P9412.LV (1ft) 6"dia X 12"ht	CCT	lumens	NDL	no downlight	6FT	72" cable
	30 3000K	HI 1355 lm			12FT	144" cable
	35 3500K				CDVR	7" surface-mounted driver canopy
	40 4000K				WREM	wired for remote EM battery pack (by other) (see note above)
					ELD	EldoLED*
					LUT	Lutron* *consult factory

P9418.LV (1.5ft) 6"dia X 18"ht	CCT	lumens	CCT	lumens
	30 3000K	LO 1600 lm	30 3000K	NDL no downlight
	35 3500K	HI 2095 lm	35 3500K	LO 1300 lm
	40 4000K	CL xxxx lm <small>custom lumens consult factory 1600-2095 lm</small>	40 4000K	<small>if selected, factory wired for dual circuit dimming</small>



i.rod.6™ spec sheet 90CRI

LED

body illumination

flexible planar LED lighting sheet in 3000K, 3500K, or 4000K (90+CRI), L70 > 60,000 hrs. silver braid power cord standard.

downlight (optional)

Bridgelux Vero SE series in 3000K, 3500K, or 4000K (90CRI), L70 > 50,000 hrs. factory wired for dual circuit dimming. electrical contractor to provide 2nd circuit.

driver(s)

programmable, class 2, class P universal input (120-277v), constant current, 0-10v dimming, 1% minimum dimming level, PF > .9, THD <20%, protections include open and short circuit, overload and over temperature. remote driver enclosure standard. consult factory for distances over 33 feet.

diffuser

6" dia. .118" Satinice white acrylic cylinder, featuring light diffusion beads evenly distributed throughout the material for optimum light diffusion.

mounting

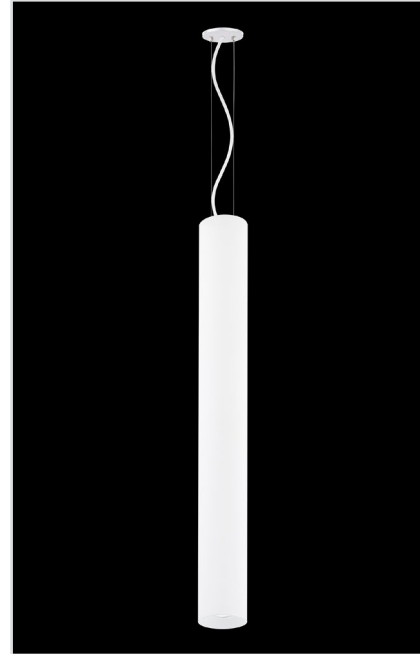
5"dia. matte white canopy. dual stainless steel cables and field adjustable grippers that allow for exact AFF mounting heights. silver braid power cord standard.

CDVR (optional)

7"dia. spun .064" aluminum canopy in matte white for surface mounted driver.

emergency

recommend use of inverter (by other).
 optional WREM: wired for remote EM battery (by other).



catalog number

--	--	--	--	--	--

size	body illumination	downlight	options																												
<p>P9424.LV (2ft) 6"dia X 24"ht</p>	<table border="0"> <tr> <th style="text-align: center;">CCT</th> <th style="text-align: center;">lumens</th> </tr> <tr> <td>30 3000K</td> <td>LO 2095 lm</td> </tr> <tr> <td>35 3500K</td> <td>HI 2660 lm</td> </tr> <tr> <td>40 4000K</td> <td>CL xxxx lm <small>custom lumens consult factory 1295-4065 lm</small></td> </tr> </table>	CCT	lumens	30 3000K	LO 2095 lm	35 3500K	HI 2660 lm	40 4000K	CL xxxx lm <small>custom lumens consult factory 1295-4065 lm</small>	<table border="0"> <tr> <th style="text-align: center;">CCT</th> <th style="text-align: center;">lumens</th> </tr> <tr> <td>30 3000K</td> <td>NDL ^{no} 1300 lm downlight</td> </tr> <tr> <td>35 3500K</td> <td>LO 1300 lm</td> </tr> <tr> <td>40 4000K</td> <td>HI* 1800 lm <small>*max. body lumens 2660</small></td> </tr> </table> <p style="font-size: small; text-align: center;">if selected, factory wired for dual circuit dimming</p>	CCT	lumens	30 3000K	NDL ^{no} 1300 lm downlight	35 3500K	LO 1300 lm	40 4000K	HI* 1800 lm <small>*max. body lumens 2660</small>	<table border="0"> <tr> <td>6FT</td> <td>72" cable</td> </tr> <tr> <td>12FT</td> <td>144" cable</td> </tr> <tr> <td>CDVR</td> <td>7" surface-mounted driver canopy</td> </tr> <tr> <td>WREM</td> <td>wired for remote EM battery pack (by other) (see note above)</td> </tr> <tr> <td>ELD</td> <td>EldoLED*</td> </tr> <tr> <td>LUT</td> <td>Lutron* <small>*consult factory</small></td> </tr> </table>	6FT	72" cable	12FT	144" cable	CDVR	7" surface-mounted driver canopy	WREM	wired for remote EM battery pack (by other) (see note above)	ELD	EldoLED*	LUT	Lutron* <small>*consult factory</small>
CCT	lumens																														
30 3000K	LO 2095 lm																														
35 3500K	HI 2660 lm																														
40 4000K	CL xxxx lm <small>custom lumens consult factory 1295-4065 lm</small>																														
CCT	lumens																														
30 3000K	NDL ^{no} 1300 lm downlight																														
35 3500K	LO 1300 lm																														
40 4000K	HI* 1800 lm <small>*max. body lumens 2660</small>																														
6FT	72" cable																														
12FT	144" cable																														
CDVR	7" surface-mounted driver canopy																														
WREM	wired for remote EM battery pack (by other) (see note above)																														
ELD	EldoLED*																														
LUT	Lutron* <small>*consult factory</small>																														
<p>P9436.LV (3ft) 6"dia X 36"ht</p>	<table border="0"> <tr> <th style="text-align: center;">CCT</th> <th style="text-align: center;">lumens</th> </tr> <tr> <td>30 3000K</td> <td>LO 3200 lm</td> </tr> <tr> <td>35 3500K</td> <td>HI 4065 lm</td> </tr> <tr> <td>40 4000K</td> <td>CL xxxx lm <small>custom lumens consult factory 2095-6235 lm</small></td> </tr> </table>	CCT	lumens	30 3000K	LO 3200 lm	35 3500K	HI 4065 lm	40 4000K	CL xxxx lm <small>custom lumens consult factory 2095-6235 lm</small>	<table border="0"> <tr> <th style="text-align: center;">CCT</th> <th style="text-align: center;">lumens</th> </tr> <tr> <td>30 3000K</td> <td>NDL ^{no} 1300 lm downlight</td> </tr> <tr> <td>35 3500K</td> <td>LO 1300 lm</td> </tr> <tr> <td>40 4000K</td> <td>HI* 1800 lm <small>*max. body lumens 4065</small></td> </tr> </table> <p style="font-size: small; text-align: center;">if selected, factory wired for dual circuit dimming</p>	CCT	lumens	30 3000K	NDL ^{no} 1300 lm downlight	35 3500K	LO 1300 lm	40 4000K	HI* 1800 lm <small>*max. body lumens 4065</small>													
CCT	lumens																														
30 3000K	LO 3200 lm																														
35 3500K	HI 4065 lm																														
40 4000K	CL xxxx lm <small>custom lumens consult factory 2095-6235 lm</small>																														
CCT	lumens																														
30 3000K	NDL ^{no} 1300 lm downlight																														
35 3500K	LO 1300 lm																														
40 4000K	HI* 1800 lm <small>*max. body lumens 4065</small>																														



job name:
 type:

i.rod.6™ spec sheet 90CRI

LED

body illumination

flexible planar LED lighting sheet in 3000K, 3500K, or 4000K (90+CRI), L70 > 60,000 hrs. silver braid power cord standard.

downlight (optional)

Bridgelux Vero SE series in 3000K, 3500K, or 4000K (90CRI), L70 > 50,000 hrs. factory wired for dual circuit dimming. electrical contractor to provide 2nd circuit. .

driver(s)

programmable, class 2, class P universal input (120-277v), constant current, 0-10v dimming, 1% minimum dimming level, PF > .9, THD <20%, protections include open and short circuit, overload and over temperature. remote driver enclosure standard. consult factory for distances over 33 feet.

diffuser

6" dia. .118" Satinice white acrylic cylinder, featuring light diffusion beads evenly distributed throughout the material for optimum light diffusion.

mounting

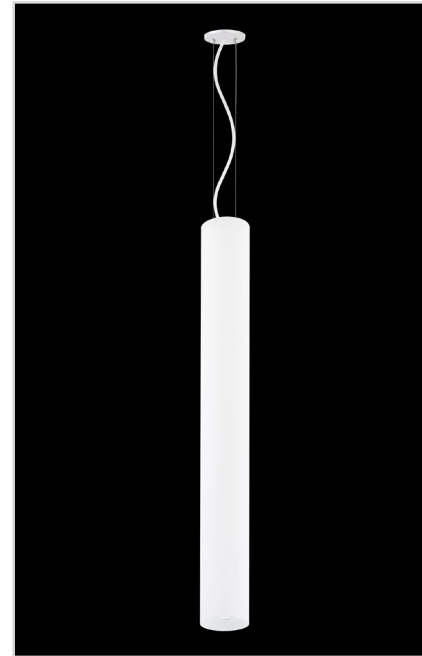
5"dia. matte white canopy. dual stainless steel cables and field adjustable grippers that allow for exact AFF mounting heights. silver braid power cord standard.

CDVR (optional)

10"dia. spun .064" aluminum canopy in matte white for surface mounted driver.

emergency

recommend use of inverter (by other).
 optional WREM: wired for remote EM battery (by other).

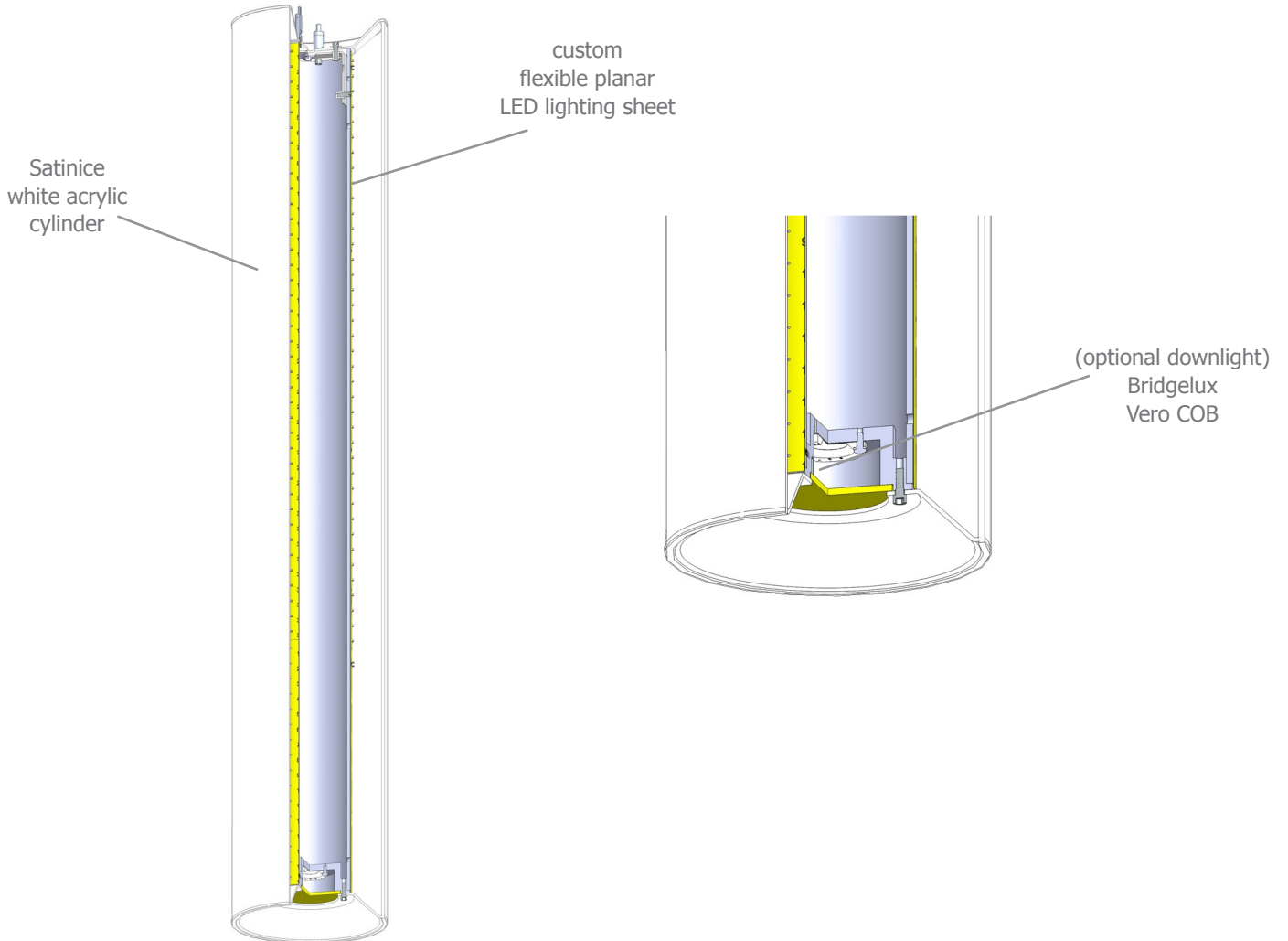
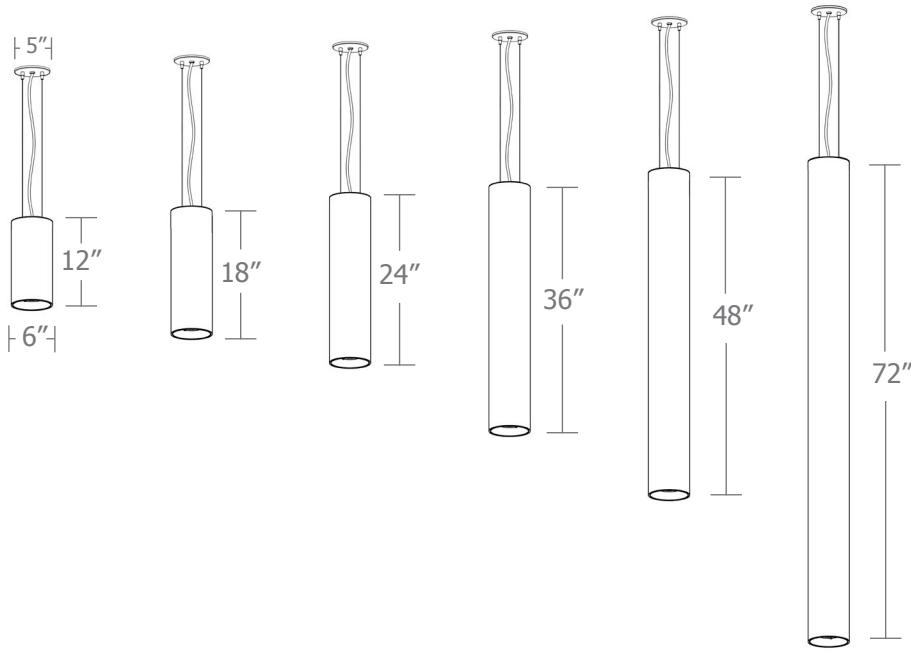


catalog number

--	--	--	--	--	--

size	body illumination		downlight		options	
	CCT	lumens	CCT	lumens		
P9448.LV (4ft) 6"dia X 48"ht	30 3000K	LO 4190 lm	30 3000K	NDL ^{no} downlight	6FT	72" cable
	35 3500K	HI 5420 lm	35 3500K	LO 1300 lm	12FT	144" cable
	40 4000K	CL xxxx lm custom lumens consult factory 2835-8375 lm	40 4000K	HI* 1800 lm <small>*max. body lumens 5420</small>	CDVR	10" surface-mounted driver canopy
				<small>if selected, factory wired for dual circuit dimming</small>	WREM	wired for remote EM battery pack (by other) (see note above)
					ELD	EldoLED*
					LUT	Lutron* <small>*consult factory</small>
P9472.LV (6ft) 6"dia X 72"ht	30 3000K	LO 6405 lm	30 3000K	NDL ^{no} downlight		
	35 3500K	HI 8375 lm	35 3500K	LO 1300 lm		
	40 4000K	CL xxxx lm custom lumens consult factory 4310-8375 lm	40 4000K	HI* 1800 lm <small>*max. body lumens 8375</small>		
				<small>if selected, factory wired for dual circuit dimming</small>		





Calculation Table

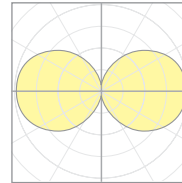
Cat No	Delivered* Lumens	Watts 120V/277V	IES File #	LLF to be applied
P9412 HI	1355	14	19618	.47
P9418 LO	1600	17	19618	.55
P9418 HI	2095	22	19618	.72
P9424 LO	2095	22	19618	.72
P9424 HI	2660	28	19618	.92
P9436 LO	3200	34	19618	1.10
P9436 HI	4065	43	19618	1.40
P9448 LO	4190	44	20621	.83
P9448 HI	5420	57	20621	1.08
P9472 LO	6405	67	20621	1.27
P9472 HI	8375	88	20621	1.67

*delivered lumens based on 4000K, 90+ cri

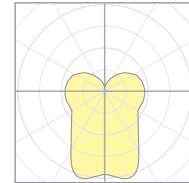
Tests are for each element separately and must be "stacked" to represent single fixture
Consult factory for applications assistance

The application of a Light Loss Factor is required to:

- match the lumen output for the power module specified
- incorporate the increased lumen output due to LED/Driver upgrades



20621
P9448-40HI



19630
P9448-40HI-40DL

Cat No	Delivered* Lumens	Watts 120V/277V	IES File #	LLF to be applied
Downlight				
40 LO	1300	21	20622	.89
40 HI	1800	23	20622	1.23

*delivered lumens based on 4000K, 90+ cri



Downlight on



Downlight off

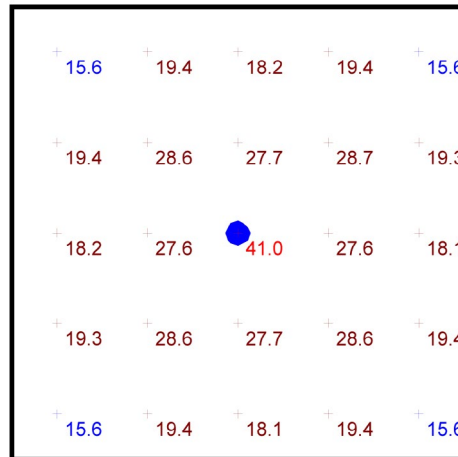


No downlight

Typical Lighting Layout

- 10' x 10' x 14'H space
- 80/50/20 reflectances
- bottom of fixture at 8' aff
- FC readings at 2.5' aff
- layout conducted using P9448 HI output unit (5420 lumens w/ 1300 lumen down light)

Statistics						
Description	Symbol	Avg	Max	Min	Max/Min	Avg/Min
i.rod.6	+	22.2 fc	41.0 fc	15.6 fc	2.6:1	1.4:1



Plan View
Scale - 1" = 2ft